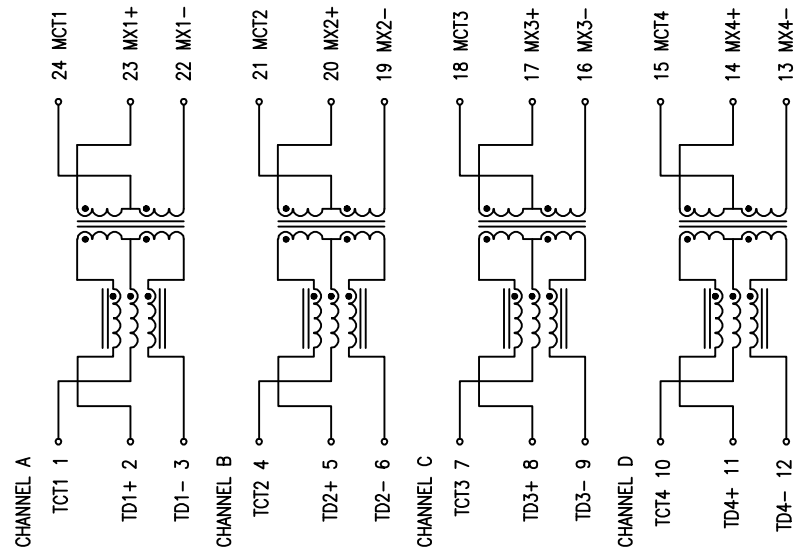


SUGGESTED PAD LAYOUT



ELECTRICAL CHARACTERISTICS @25°C:

- INSULATION HI-POT(PRI./SEC.) : 1500Vrms, 1mA, 60SEC
- TURN RATIO (±5%) : TX = 1CT : 1CT
RX = 1CT : 1CT
- OCL : 80uH MIN @100kHz, 0.1V, 28mA DC BIAS,(25°C)
80uH Typ @100kHz, 0.1V, 28mA DC BIAS,(-40°C~85°C)
- INSERTION LOSS : 1-100MHz = -1.1dB MAX.
- RETURN LOSS (dB MIN.) : -16dB MIN @1-40MHz
-10+20*LOG₁₀(f/80MHz)dB MIN @40-100MHz
- CROSS TALK : 1-100MHz = -30dB MIN.
- COMMON MODE REJECTION : 1-100MHz = -30dB MIN.
- LEAKAGE INDUCTOR (100KHz, 0.1Vrms) : 0.5uH MAX.
- DCR : 1.4Ω MAX.
- OPERATING TEMPERATURE RANGE : -40°C~+85°C
- IEEE802.3at comp;oant performance--1200mA Current Capability
For Giga(600mA Per Channel)
- RoHS COMPLIANT

							TITLE 10/100/1000 BASE-T PoE++ TRANSFORMER	
							DWG. NO. ATPL-517TPR	
RELEASE			01/19/2018	SHIRLEY	BETTY	BETTY	UNITS: M/M	SAFETY
NO:	DESCRIPTION	DATE	BY	CHK	APPD	DATE	P/N:	SHEET 1 of 1
REVISIONS						01/19/18		DRAW SHIRLEY